

**400 SERIES**

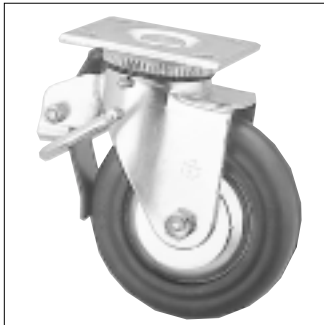
**CAPACITY: 400-1000 LBS PER CASTER**



31-406-PSE



31-406R-PD



31-406B-PD



31-406F-PSE

**FEATURES**

KING BOLT

TOP PLATE

HARD CAP

UPPER BALL RACE

UPPER SWIVEL SEAL

YOKE

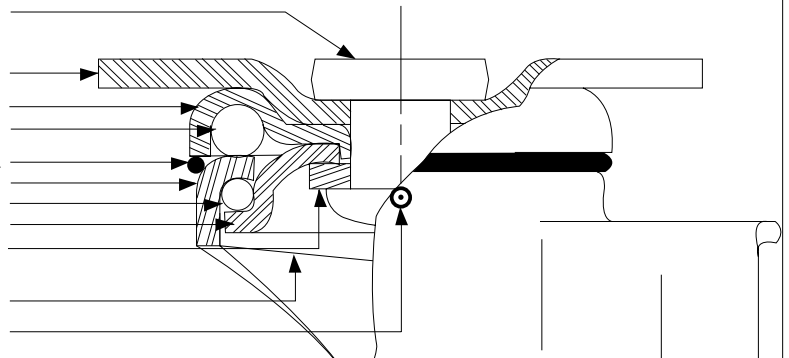
LOWER BALL RACE

RETAINER

STEM WASHER

LOWER SEAL

ZERK FITTING



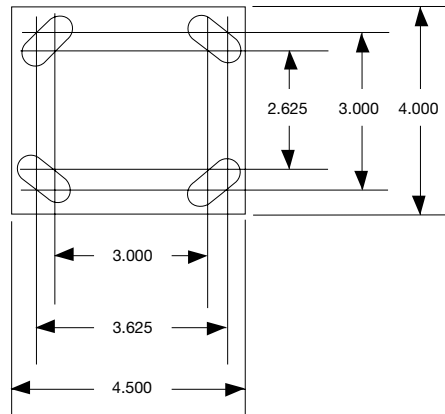
- 1/2" Axle
- 3/4" Rivet
- Double row ball bearing swivel. Both raceways equal diameter
- Standard with swivel seals and grease fittings in swivel and axle
- Bright zinc finish
- All swivel parts case hardened to Rockwell 62C
- Thread guards standard on wheels

**OPTIONS**

- Brakes, locks wheel and swivel. Available on 5", 6" and 8" models. Add letter "B".
- Four position swivel locks. Add letter "F".
- Brakes and swivel locks cannot be combined on the same caster.

**INSTALLATIONS**

NO. 31 TOP PLATE  
(STANDARD ON 400 SERIES)



HOLES FOR 0.375 BOLTS

**OPTIONAL TOP PLATES**

NO. 4 TOP PLATE

NO. 1S3 TOP PLATE

NO. 6 TOP PLATE

NO. 8 TOP PLATE

NO. 14 TOP PLATE

NO. 22 TOP PLATE

SEE PAGE 16 FOR DIMENSIONS

## 400 SERIES

CAPACITY: 400 – 1000 LBS PER CASTER

WHEEL DIAMETER	TREAD WIDTH	LOAD CAP./LBS	BEARING TYPE	SWIVEL MODEL	RIGID MODEL	SWIVEL RADIUS	OVERALL HEIGHT
<b>NEOPRENE - NON MARKING AND NON STAINING - USED ON ANY FLOOR SURFACE - ERGO*</b>							
4"	2"	400	ROLLER	31-404-TD	31-404R-TD	3-5/8"	5-5/8"
4"	2"	500	PRECISION BALL	31-404-PD	31-404R-PD	3-5/8"	5-5/8"
5"	2"	450	ROLLER	31-405-TD	31-405R-TD	4-1/4"	6-11/16"
5"	2"	550	PRECISION BALL	31-405-PD	31-405R-PD	4-1/4"	6-11/16"
6"	2"	500	ROLLER	31-406-TD	31-406R-TD	4-5/8"	7-11/16"
6"	2"	600	PRECISION BALL	31-406-PD	31-406R-PD	4-5/8"	7-11/16"
8"	2"	500	ROLLER	31-408-TD	31-408R-TD	5-3/4"	9-3/4"
8"	2"	600	PRECISION BALL	31-408-PD	31-408R-PD	5-3/4"	9-3/4"
<b>SOLID ELASTOMER - VERY LOW STARTING AND ROLLING RESISTANCE - ERGO*</b>							
3"	2"	900	PRECISION BALL	31-403-PSE	31-403R-PSE	3-1/4"	4-3/4"
4"	2"	900	PRECISION BALL	31-404-PSE	31-404R-PSE	3-5/8"	5-5/8"
5"	2"	1000	PRECISION BALL	31-405-PSE	31-405R-PSE	4-1/4"	6-11/16"
6"	2"	1000	PRECISION BALL	31-406-PSE	31-406R-PSE	4-5/8"	7-11/16"
8"	2"	1000	PRECISION BALL	31-408-PSE	31-408R-PSE	5-3/4"	9-3/4"
<b>URETHANE - FOR HEAVY LOADS AND ROUGH FLOOR CONDITIONS - ERGO*</b>							
3-1/2"	2"	800	ROLLER	31-403.5-TU	31-403.5R-TU	3-1/2"	5-1/16"
4"	2"	900	ROLLER	31-404-TU	31-404R-TU	3-5/8"	5-5/8"
5"	2"	1000	ROLLER	31-405-TU	31-405R-TU	4-1/4"	6-11/16"
6"	2"	1000	ROLLER	31-406-TU	31-406R-TU	4-5/8"	7-11/16"
8"	2"	1000	ROLLER	31-408-TU	31-408R-TU	5-3/4"	9-3/4"
<b>V-GROOVED - ECONOMICAL HANDLING OF HEAVY LOADS ON ANGLE TRACK</b>							
4"	2"	800	ROLLER	31-404-TCV	31-404R-TCV	3-5/8"	5-5/8"
5"	2"	1000	ROLLER	31-405-TCV	31-405R-TCV	4-1/4"	6-11/16"
<b>SEMI - STEEL - CROWNED SEMI - STEEL CASTING</b>							
3"	1-7/8"	900	ROLLER	31-403-TCI	31-403R-TCI	3-1/4"	4-3/4"
4"	1-7/8"	1000	ROLLER	31-404-TCI	31-404R-TCI	3-5/8"	5-5/8"
5"	1-7/8"	1000	ROLLER	31-405-TCI	31-405R-TCI	4-1/4"	6-11/16"
6"	1-7/8"	1000	ROLLER	31-406-TCI	31-406R-TCI	4-5/8"	7-11/16"
8"	1-7/8"	1000	ROLLER	31-408-TCI	31-408R-TCI	5-3/4"	9-3/4"

\* Ergonomically designed for easy rolling.

DELRIN™ BEARINGS AVAILABLE IN NEOPRENE (D) AND SOLID ELASTOMER "SE" WHEELS. SUBSTITUTE LETTER "M" FOR LETTER "P"